

PIR Motion Sensor Switch

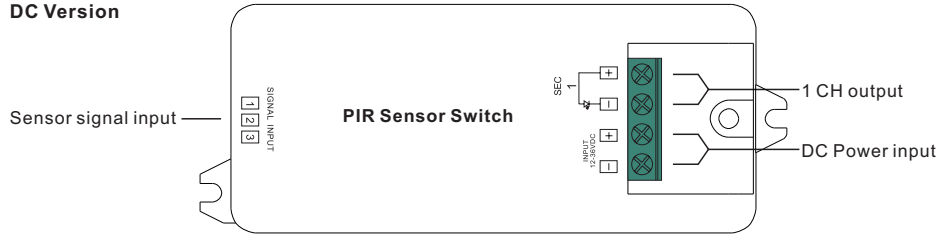
09.08004.04257



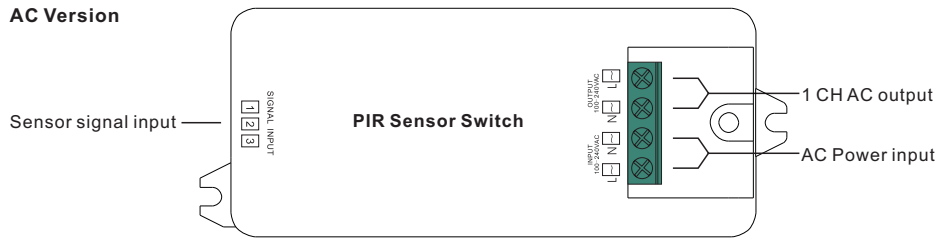
Important: Read All Instructions Prior to Installation

Function introduction

DC Version



AC Version



Product Data

No.	Input Voltage	Output Current	Output Power	Remarks	Size(LxWxH)
DC	12-36VDC	1x8A	1x(96-288)W	Constant voltage	95x37x20mm
AC	100-240VAC	5A	500W	Constant current	95x37x20mm

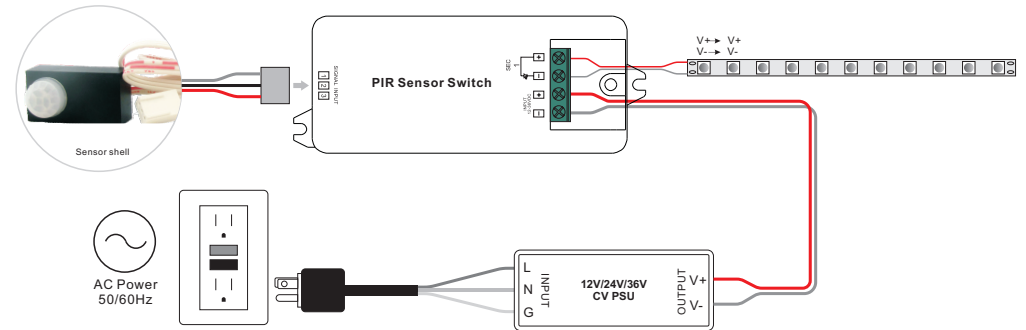
- Detection range: $\leq 3m$.
- Can load the HV-Halogen lamps, LED lamps, Electronic ballast
- Power on when persons/objects come up the sensor switch area and power off when persons/objects moves away.
- Sense angle 60°
- DC or AC version
- Waterproof grade: IP20

Safety & Warnings

- DO NOT install with power applied to device.
- DO NOT expose the device to moisture.

Wiring Diagram

DC Version



AC Version

